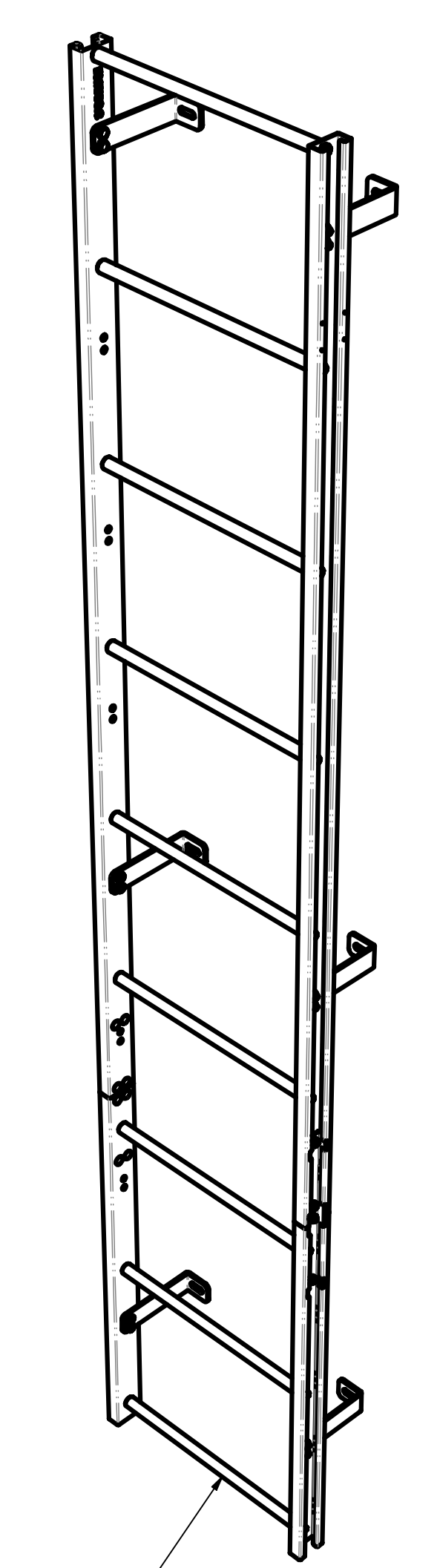
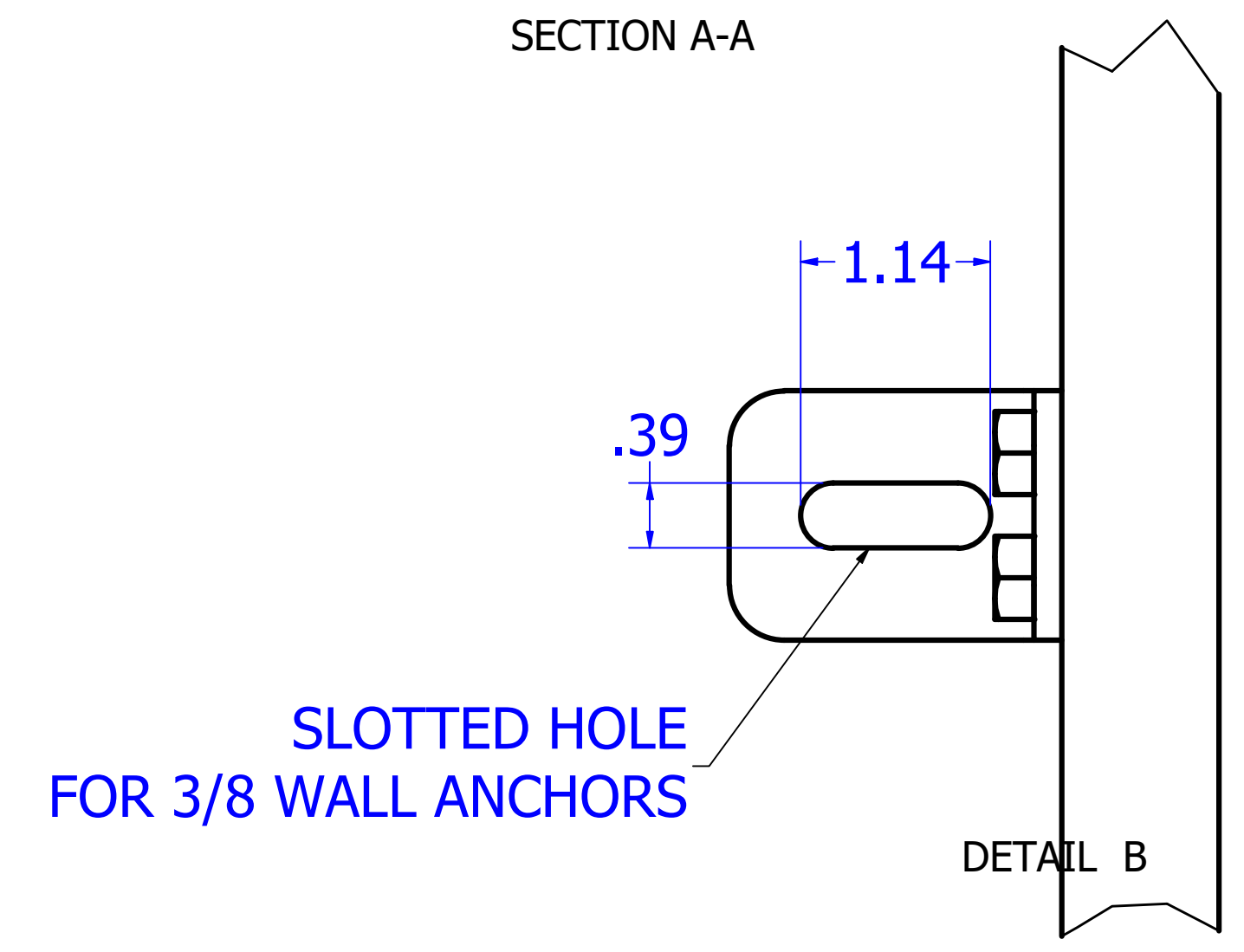
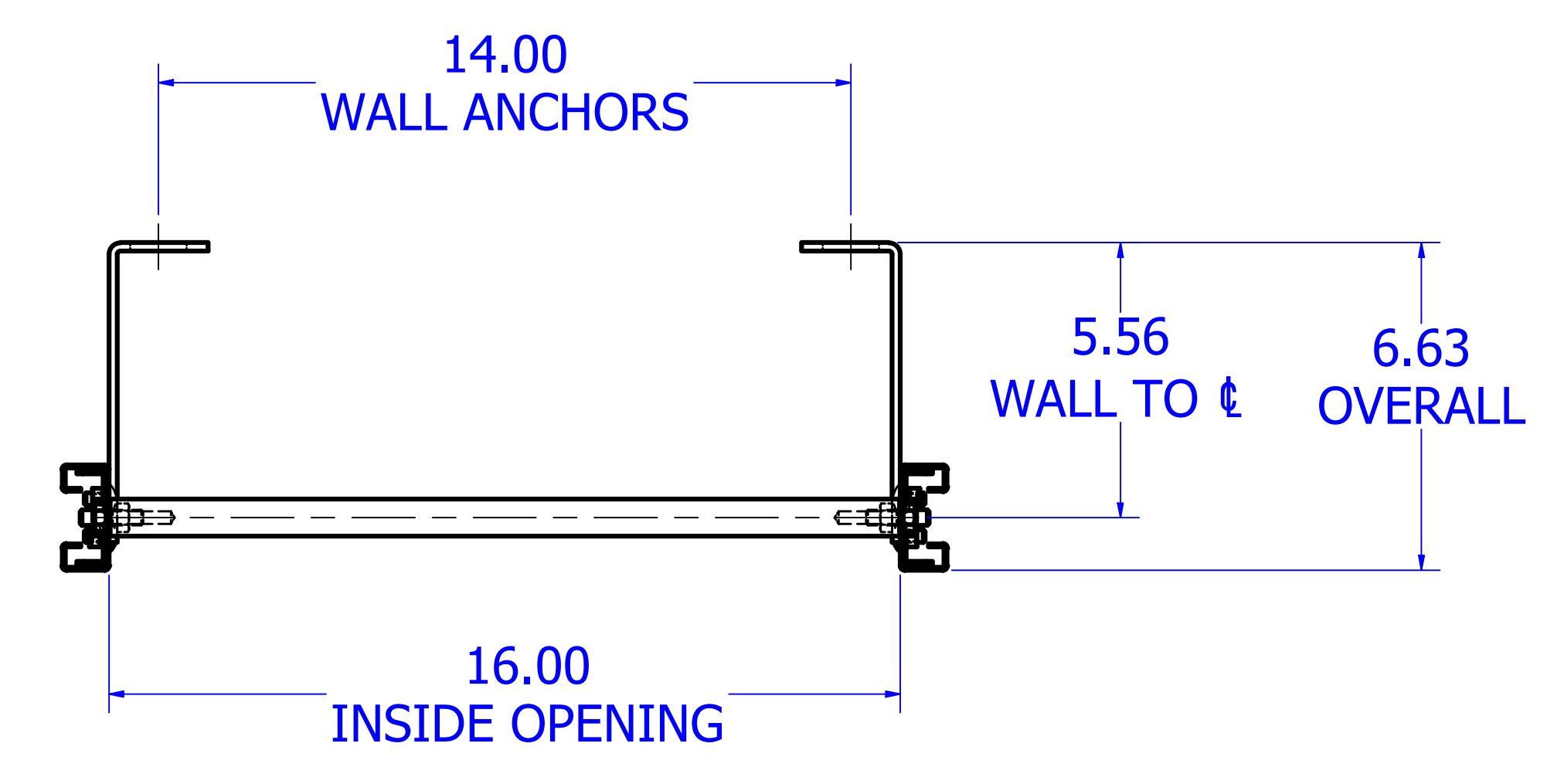
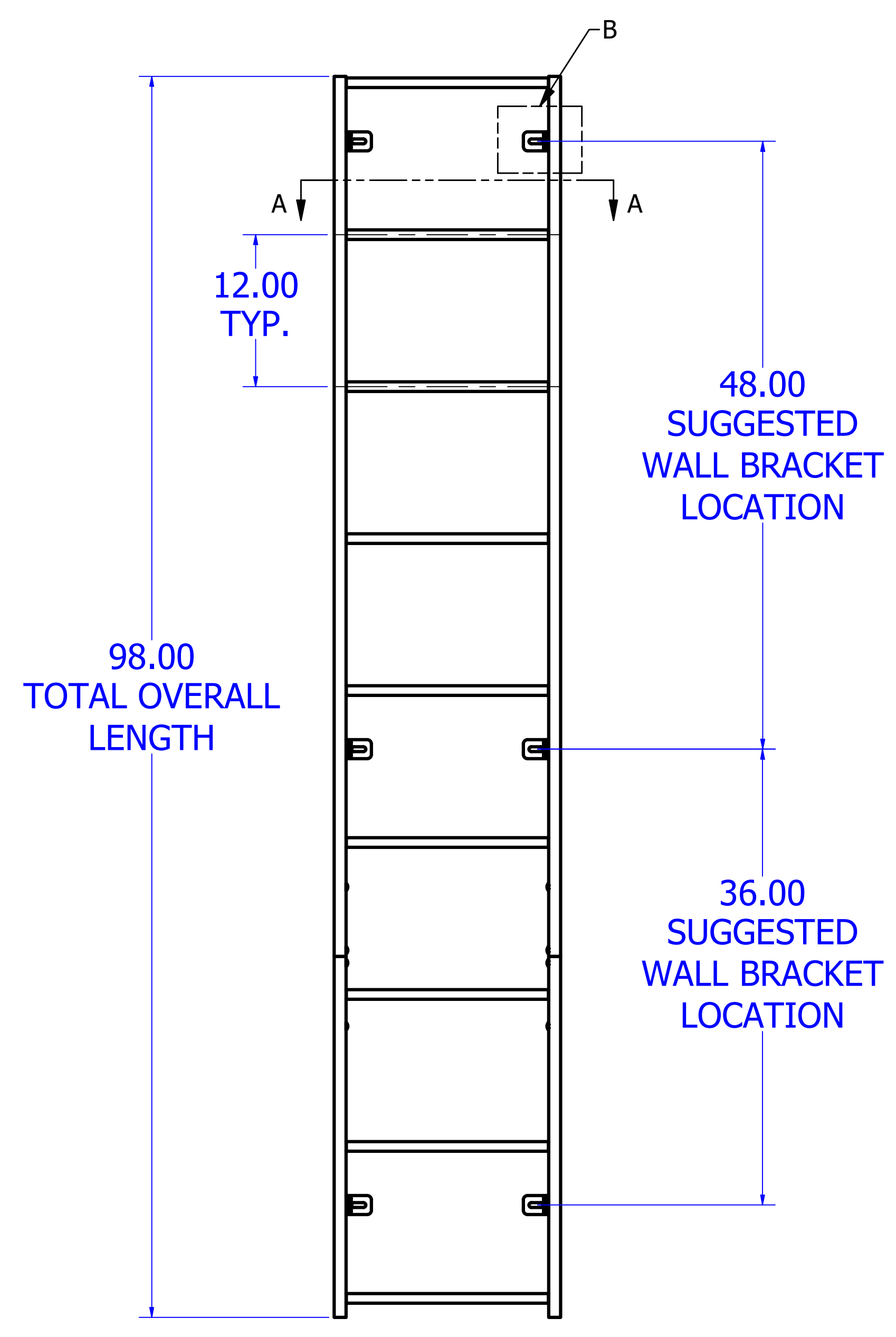
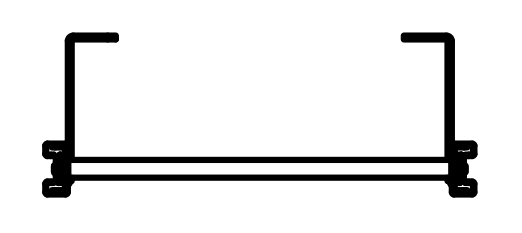


8 7 6 5 4 3 2 1



S2-CLIMBER-16096
PIT LADDER, STATIONARY, 16" WIDE, 98" LG.

WEIGHT : 29.039 lbmass

DRAWN	S2	12/12/2025	S2 SOURCE <small>LONGWOOD, FL</small>	
CHECKED				
QA			TITLE PIT LADDER, STATIONARY, 16" WIDE, 98" LG.	
MFG			SIZE D	DWG NO S2-CLIMBER-16096
APPROVED			SCALE NTS	REV 00
			SHEET 1 OF 2	

8 7 6 5 4 3 2 1

8 7 6 5 4 3 2 1

D

D

C

C

B

B

A

A

8 7 6 5 4 3 2 1

BOLT-HEX-0312-18-0750-STZ

BOLT, HEX, 5/16-18 X .750 LG., STZ

S2-CLM-022

BRACKET, WALL, STATIONARY

NUT-HEX-0312-18-STZ

NUT, HEX, 5/16-18, STZ

S2-CLM-050-12AN

RUNG, .750 DIA X 12 LG., KNURLED, ANODIZED

S2-CLM-010-0695

SIDE, S2-CLIMBER, 69.5" LG.

93548A530

CARRIAGE BOLT, 1/4-20 X 1/2 LG., STZ

S2-CLM-072

BRACKET, SPLINE, S2-CLIMBER

NUT-HEX-0250-20-STZ

NUT, HEX, 1/4-20, STZ

S2-CLM-070-XXX

WALL BRACKETS
CAN BE INSTALLED
AT ANY LOCATION

DETAIL E

DETAIL F

S2-CLIMBER-16096

PIT LADDER, STATIONARY, 16" WIDE, 98" LG.

WEIGHT : 29.039 lbmass

DRAWN	S2	12/12/2025	S2 SOURCE <small>LONGWOOD, FL</small>	
CHECKED				
QA			TITLE PIT LADDER, STATIONARY, 16" WIDE, 98" LG.	
MFG			SIZE D	DWG NO S2-CLIMBER-16096
APPROVED			SCALE NTS	REV 00
			SHEET 2 OF 2	

